



No. 13045 Rear Deck Spoiler  
2011-12 Dodge Charger  
INFORMATION

American Best Car Parts, Inc.  
2891 Via Martens - Anaheim, CA 92806 Tel 714-632-1709 / 800-999-8753 / Fax. 714-632-2738

---

**PROTECT YOUR INVESTMENT. READ ALL INSTRUCTIONS FIRST**

<b>TABLE OF CONTENTS</b>	<b>PAGE</b>
Vehicle Preparation and Parts Preparation. Painting and Installation	2,3,4
Parts List	
1 ea Rear Deck Spoiler	
4 ea bump-ons (clear nylon domes)	
2 ea 6 foot rolls 3M PT1500, .060 X 1/2" double side tape	
3 ea 3M 4298 Adhesion Promoter packets	



American Best Car Parts, Inc.

2891 Via Martens - Anaheim, CA 92806 Tel 714-632-1709 / 800-999-8753 / Fax. 714-632-2738

**PLEASE READ INSTRUCTIONS THOROUGHLY BEFORE PRECEDING**

We have provided complete instructions and hardware, 3M tape, and adhesion promoter. The first of these items is on page one of the instructions. Before starting please verify that all parts are included in the shipment.

Also, verify that you received the correct part. The list of part(s) and hardware provided is noted on page one.

NOTE This product requires two people to complete the task satisfactorily.

Tools and general materials required: gray Scotchbrite pads, cleaners, 320 & 400 grit sandpaper, various hand tools including an electric drill and 7/64 drill bit.

There are four phases to this installation:

- 1) TEST FIT the part to be installed.
- 2) Preparation of the part for paint
- 3) Installation of the 3M tape.
- 4) Installation of the part.

**PHASE 1) TEST FIT**

TEST FIT the part to verify fit. DO NOT PREP, OR PAINT THE PART UNTIL THIS IS DONE.

NOTE: Occasionally, the urethane part might seem to be slightly distorted upon fit test. If so, place them in the sun Bottom side down. ( if a warm day ) or in a warm area for an hour or more and it should return to the original shape.

**PHASE 2) PREPARATION OF URETHANE PART FOR PAINTING:** This process is following an approved Sherwin Williams process and materials. Consult your paint supplier for equivalent materials and or processes.

- WASH the paintable surfaces and the tape ledge w / heavy duty detergent degreaser, i.e...( purple stuff. Red hot and USP90 scuff gel available at most paint suppliers ,) use a gray scuff pad until dull and rinse thoroughly.
- SAND across item with 400 grit sandpaper or finer. Check for imperfections and repair as needed. Repair with " Evercoat Metal Glaze", sku #100416, and 2 part polyester putty.
- RE-WASH with heavy detergent degreaser and USP90 scuff gel using gray scuff pat to remove Residue. Rinse thoroughly , and wipe dry with a lint free towel. Apply masking tape to tape ledges on back of part.
- SPRAY item with Sherwin Williams UP07227 plastic adhesion promoter>
- SPRAY item with Sherwin Williams P30 sealer base coat, and then apply clear coat.
- DO NOT oven bake this part above 100 degrees F for no more than 2 hours. This part should be well Supported in the oven baking process to avoid warping the part.

American Best Car Parts, Inc.

2891 Via Martens - Anaheim, CA 92806 Tel 714-632-1709 / 800-999-8753 / Fax. 714-632-2738

**PHASE 3 INSTALLATION OF THE 3M TAPE**

- REMOVE masking tape from the backside of the part.
- REMOVE any paint overspray on the tape area of the part with acetone and if needed 3M #7447. Scotchbrite burgundy pad After paint overspray is removed wipe tape ledge with clean rag and acetone
- CLEAN the tape ledge on the inside of the part with MEK or Acetone.
- ROUGH up the tape ledge using 3M burgundy scotchbrite pad that has been dipped in MEK or Acetone and then wipe clean with the MEK or Acetone.
- APPLY the provided 3M adhesion promoter onto the tape ledges and PRESS the tape on with the handle part of scissors. Apply tape along top edge of part where it will contact vehicle.
- ALLOW the part to set with the tape applied for about 30 minutes – this will help the curing process, before installing the product on vehicle.

**PHASE 4) INSTALLATION OF THE PART (s) ( perform in a warm area above 70 degrees F )**

- CLEAN the vehicle where the tape will stick with a good wax or grease remover. Use 3M general purpose adhesive cleaner, sku # 8984 ( quart container ), or acetone.
- APPLY the 3M 4298 adhesion promoter, or acetone to the vehicle only where the 3M tape will come in contact with the vehicle.
- PULL a corner of the tape red backing up above the edge of the part at both ends of the Rear Deck Spoiler and set part in place. Check that Rear Deck Spoiler is even with the rear edge of the vehicle. Press firmly and evenly along the entire length of the air dam while removing the red tape backing. Firm pressure is required to insure a good bond of the tape and vehicle. One this is done apply 1 ea clear bump-on dome on each side under the lowest tip of the spoiler to prevent it from contacting the car ( there are 2 extras for future use )if needed.
- Do not wash vehicle for 48 hours after installation of part.

Sources for some of the referenced materials: MEK ( Methyl Ethyl Ketone, or Acetone) can usually be purchase at a hardware store. Scotchbrite scuff pads, 3M Adhesive Cleaner #8984 can usually be purchased from a automotive paint supply store.

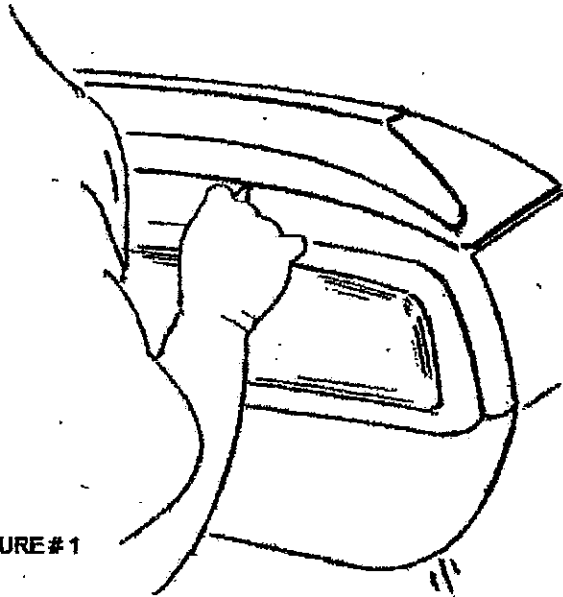
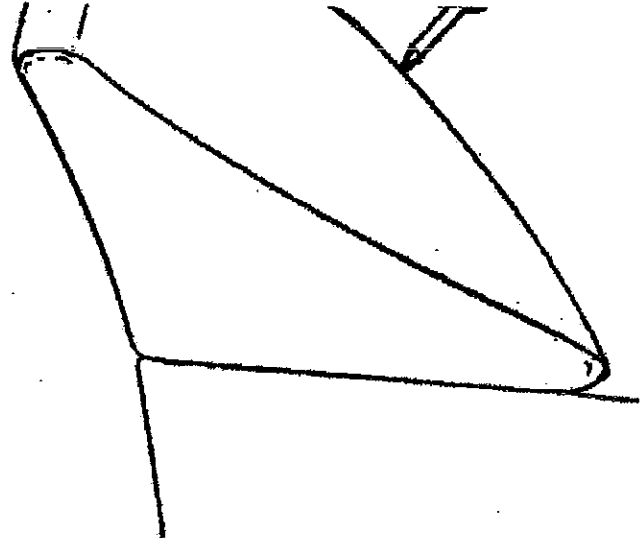
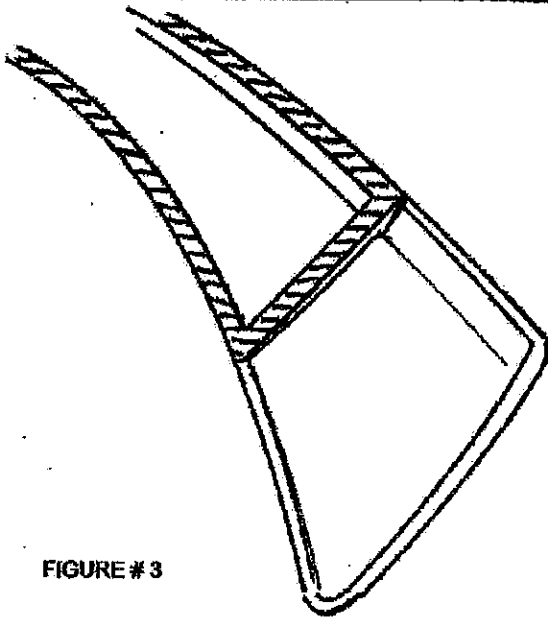
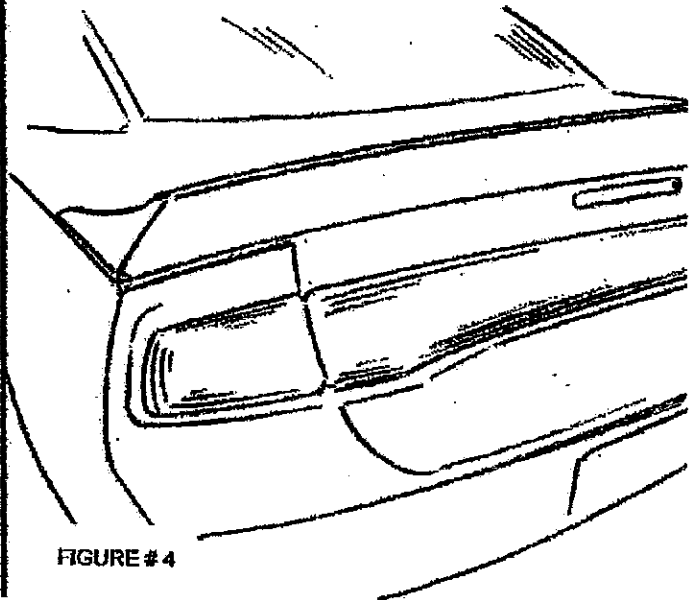
**American Best Car Parts, Inc.****2891 Via Martens - Anaheim, CA 92806 Tel 714-632-1709 / 800-999-8753 / Fax. 714-632-2738****FIGURE # 1****FIGURE # 2****FIGURE # 3****FIGURE # 4**

Figure 1 & 2. Mark location of Rear Deck Spoiler when fitting to vehicle.

Figure 3. Apply 3M tape and peel back ends for ease of installation

Figure 4. Bond Plastic Domes under each end of Rear Deck Spoiler